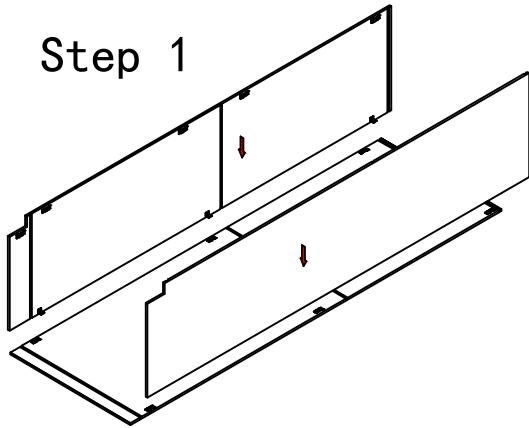


ASSEMBLY INSTRUCTIONS

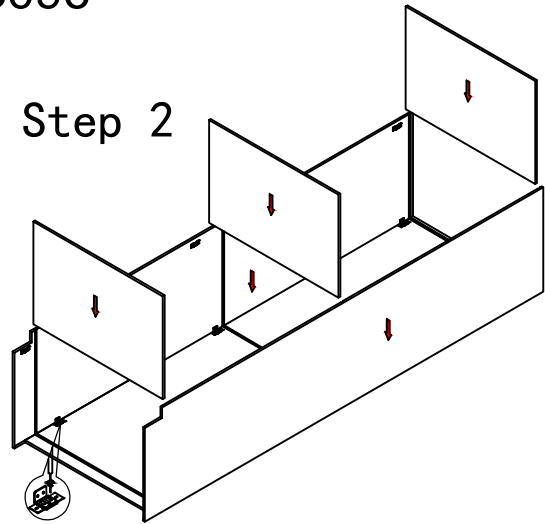
This instruction applies to the following items:

WP2484、WP2490、WP2496
 WP3084、WP3090、WP3096

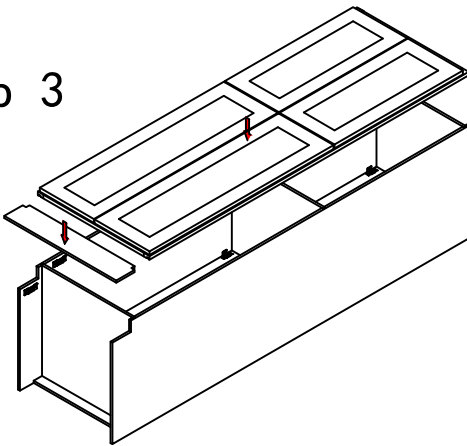
Step 1



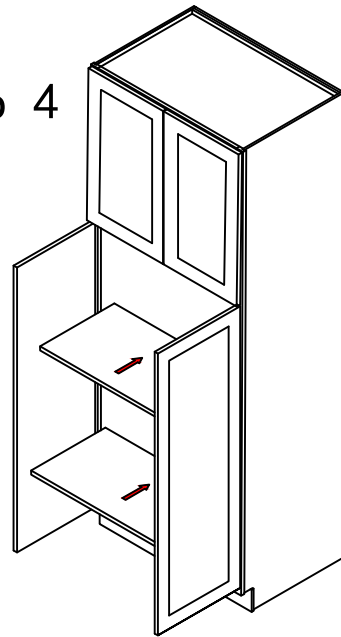
Step 2



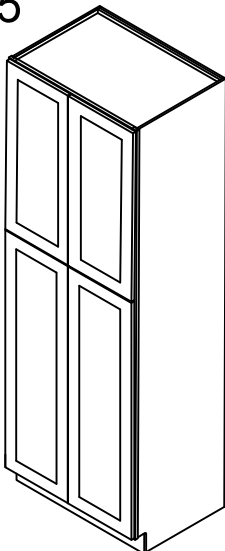
Step 3



Step 4



Step 5



Description	Description
φ 3.5*12 SCREW	FOR SCREWING CLEAT AND BUCKLE
φ 3.5*16 SCREW	FOR SCREWING HINGE AND DOOR
φ 3.5*19 SCREW	FOR SCREWING HINGE AND FRAME, AND CORNER BLOCK
φ 3.5*25 SCREW	FOR SCREWING SIDE PANEL/BACK PANEL
φ 3.5*30 SCREW	FOR SCREWING THE SIDE PANEL/BACK PANEL TO THE TOP/BOTTOM PANEL